



HPE Aruba Networking AP-ANT-MNT-U Mount Kit

Installation Guide



Hewlett Packard
Enterprise

Copyright Information

© Copyright 2023 Hewlett Packard Enterprise Development LP.

Open Source Code

This product includes code licensed under certain open source licenses which require source compliance. The corresponding source for these components is available upon request. This offer is valid to anyone in receipt of this information and shall expire three years following the date of the final distribution of this product version by Hewlett Packard Enterprise Company. To obtain such source code, please check if the code is available in the HPE Software Center at <https://myenterpriselicense.hpe.com/cwp-ui/software> but, if not, send a written request for specific software version and product for which you want the open source code. Along with the request, please send a check or money order in the amount of US \$10.00 to:

Hewlett Packard Enterprise Company
Attn: General Counsel
WW Corporate Headquarters
1701 E Mossy Oaks Rd, Spring, TX 77389
United States of America



The AP-ANT-MNT-U mount kit is for mounting an antenna on a wall or to a pole.

Package Contents

Table 1: *Package Contents*

Item	Quantity
Mount bracket	1
Mount arm	1
Mount holder	1
Antenna holder	1
M10 x 30 screw	2
M6 x 20 screw	3
M5 x 15 screw	4
60 cm cable tie	1
Hose clamp, 7.85 in / 20 cm long	2

Customer Supplied Equipment

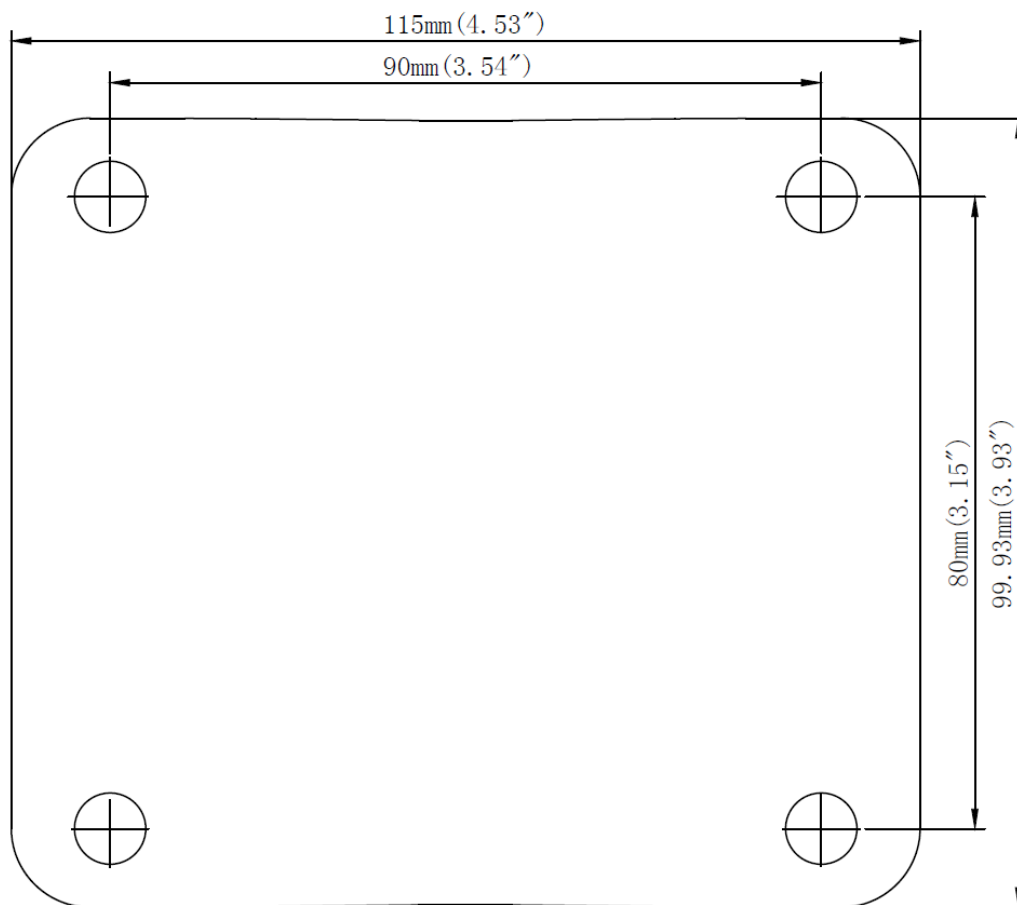
- Electric drill with drill bits, wall anchors, #1 Phillips screwdriver, 8 mm Allen wrench, and fastening hardware for wall mount

Attaching Mount Bracket on Wall

To mount an antenna on a wall, follow these steps:

1. Use the mount bracket as a template, or use the mount bracket dimensions provided in [Figure 1](#), to mark the positions of the holes on the wall, and drill holes into the marked positions.

Figure 1 Mount Bracket Dimensions

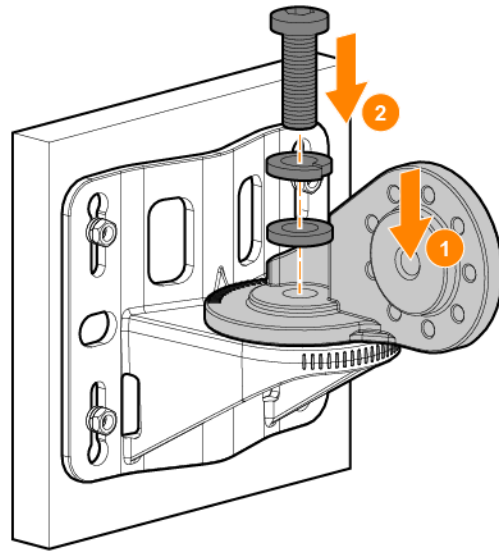


2. Fix the mount bracket to the wall using wall anchors.

Installing Antenna to Mount Bracket

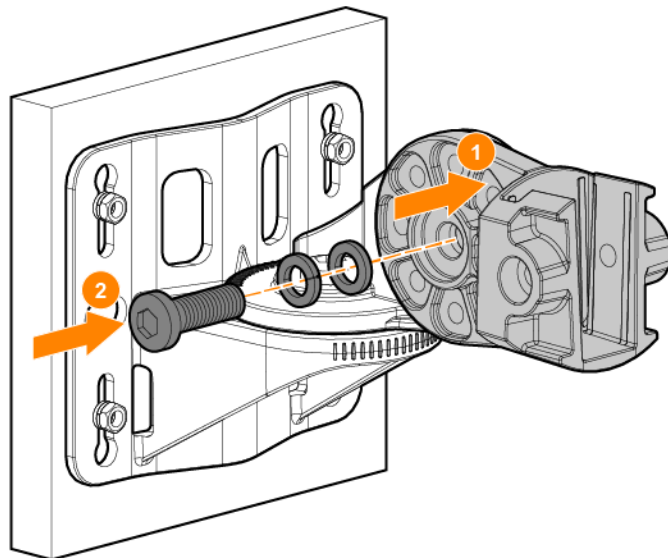
1. Use the included M10 x 30 screw to attach the mount arm to the mount bracket. Adjust the mount arm to the desired position. The mount arm can be adjusted +/-45 degrees horizontally. Tighten the screw to a torque of 12 N.m.

2. **Figure 2** Attaching Mount Arm to Bracket



3. Use another included M10 x 30 screw to attach the mount holder to the mount arm. Tighten the screw to a torque of 12 N.m.

Figure 3 Attaching Mount Holder to Mount Arm



4. Use the four included M5 x 15 screws to attach the antenna holder to the antenna.

Figure 4 Attaching Antenna Holder to Directional Antenna

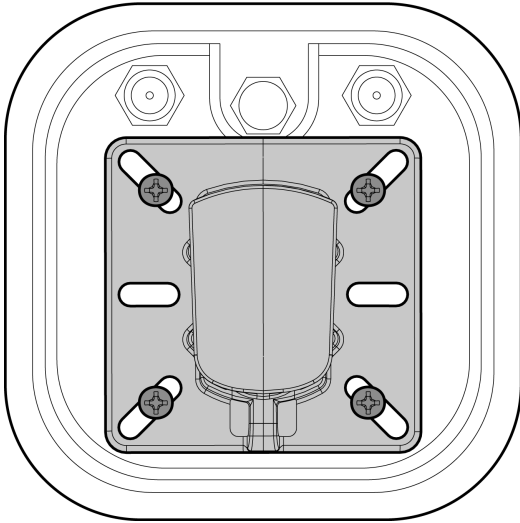
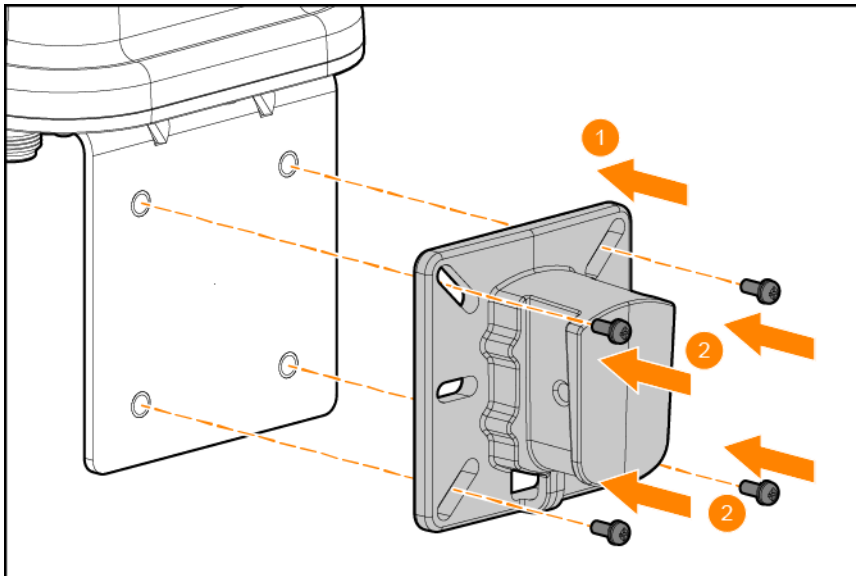


Figure 5 Attaching Antenna Holder to Omni Antenna



5. Use the two included M6 x 20 screws to fasten the antenna holder to the mount holder. Adjust the antenna angle by inserting the included M6 x 20 screw into the hole on the mount holder. The antenna can be adjusted +/-45 degrees vertically. Tighten the screws to a torque of 2.5 N.m.

Figure 6 Attaching Antenna Holder to Mount Holder (Directional Antenna)

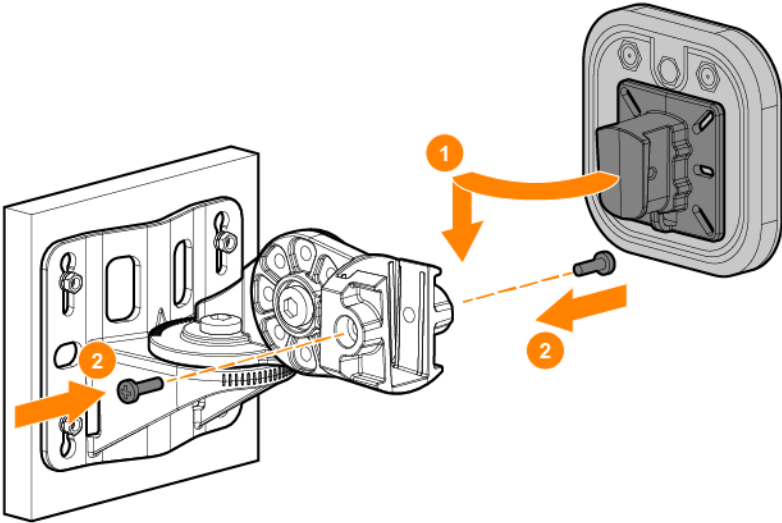


Figure 7 Attaching Antenna Holder to Mount Holder (Omni Antenna)

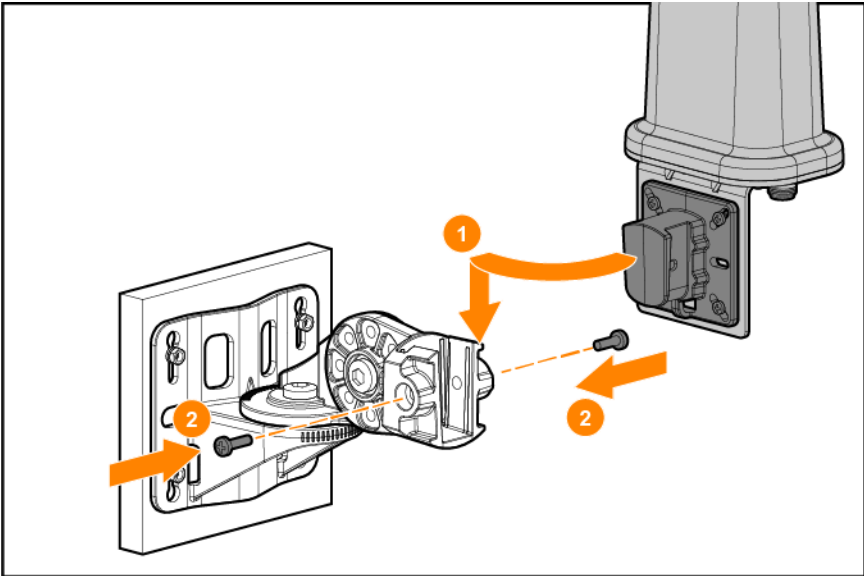
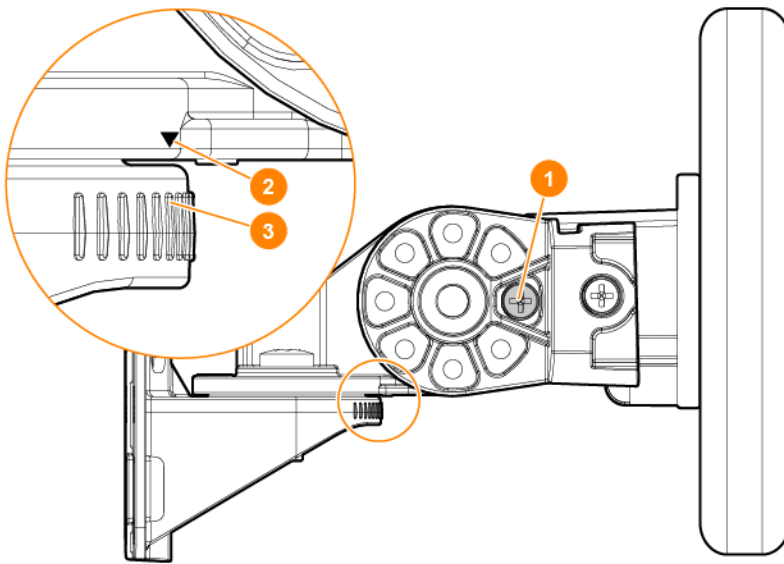


Figure 8 *Adjusting Antenna Position*



1	M6 x 20 screw for antenna vertical adjustment
2	Arrow mark for antenna horizontal adjustment (in 5-degree increments)
3	Degree marks for antenna horizontal adjustment (in 5-degree increments)

6. Use the included cable tie to fasten the cables to the mount kit.

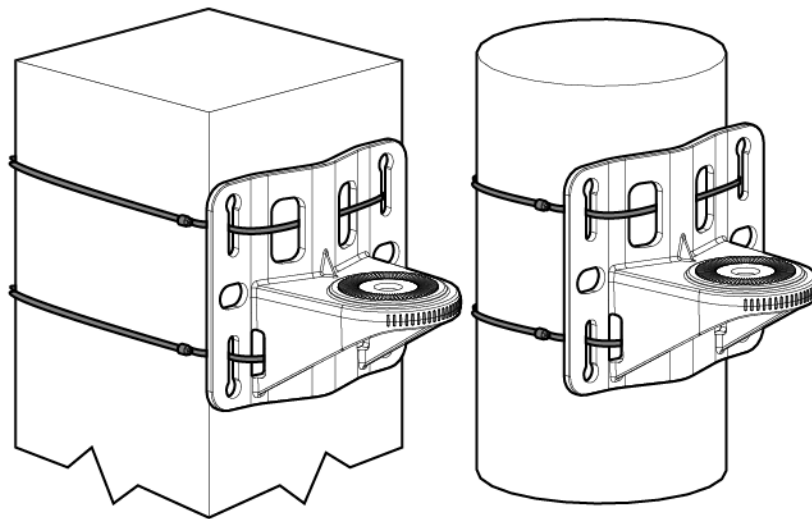
To mount an antenna to a pole with diameter of 1.5-2.5" or 3.8-6.35 cm, follow these steps:



Source the desired size of hose clamp directly as appropriate for other pole diameters.

1. Attach the mount bracket to the pole with the hose clamps.

Figure 9 *Attaching Mount Bracket to a Pole*



2. Repeat [Installing Antenna to Mount Bracket on page 2](#) to complete the antenna installation.