



a Hewlett Packard  
Enterprise company

# Aruba AP-5xx Indoor AP Mounts

All new mounts for the 802.11ax APs

Jerrod Howard, TME

## Why the new mounts?

- The new AP mounts decrease the gap between the AP and ceiling/wall and work easily with side entry Ethernet cables.
- The new, larger APs require a more secure mounting solution to ensure a solid, stable connection to the mounting asset.
- The new AP mounts are all metal, so heat and discoloration will not be an issue.

## Things to be aware of

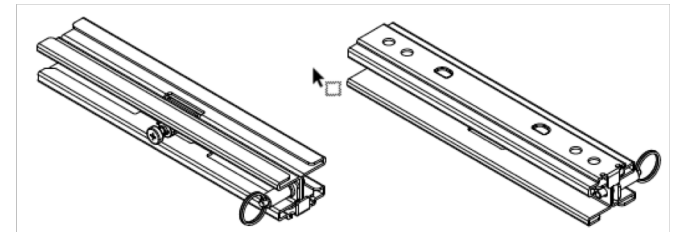
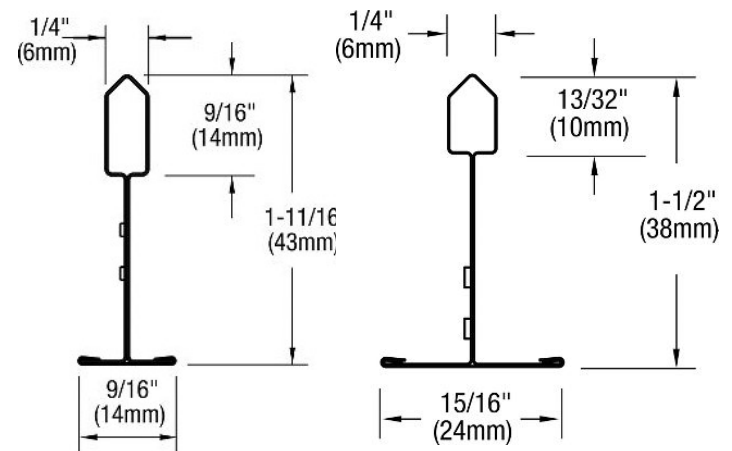
- All indoor AP-5xx and future APs moving forward will use this new mount solution
- The new mount solution is NOT compatible with older access points (AP-2xx or AP-3xx)
- Older mount solutions are not compatible with these new AP-5xx APs
- There is currently no mount adapter available to convert old mounts to support the new APs. If new APs are used, new mounts must be purchased at this time
- All mounts ship in packs of 10 only
- ***All AP-5xx APs will ship with the 'Common Mount' pre-attached, and the mount kit will include all other required components to complete the mount.***
- **APs will NO LONGER ship with the 9/16<sup>th</sup> and 15/16<sup>th</sup> C1/C2 mounting brackets. All new AP orders will \*require\* the addition of a mounting solution**

## The new AP mounts part numbers, description, and list prices

Part Number	J number	Product name	Description	CAT	WW List Price	US List Price
AP-MNT-MP10-A	JZ370A	AP-MNT-MP10-A AP mount bracket 10-pack A	AP-MNT-MP10-A Campus AP mount bracket kit (10-pack) type A: suspended ceiling rail, flat 9/16	OT	\$195	\$205
AP-MNT-MP10-B	Q9G69A	AP-MNT-MP10-B AP mount bracket 10-pack B	AP-MNT-MP10-B Campus AP mount bracket kit (10-pack) type B: suspended ceiling rail, flat 15/16	OT	\$195	\$205
AP-MNT-MP10-C	Q9G70A	AP-MNT-MP10-C AP mount bracket 10-pack C	AP-MNT-MP10-C Campus AP mount bracket kit (10-pack) type C: suspended ceiling rail, profile 9/16	OT	\$195	\$205
AP-MNT-MP10-D	Q9G71A	AP-MNT-MP10-D AP mount bracket 10-pack D	AP-MNT-MP10-D Campus AP mount bracket kit (10-pack) type D: solid surface	OT	\$245	\$260
AP-MNT-MP10-E	R1C72A	AP-MNT-MP10-E AP mount bracket 10-pack E	AP-MNT-MP10-E Campus AP mount bracket kit (10-pack) type E: wall-box	OT	\$295	\$305

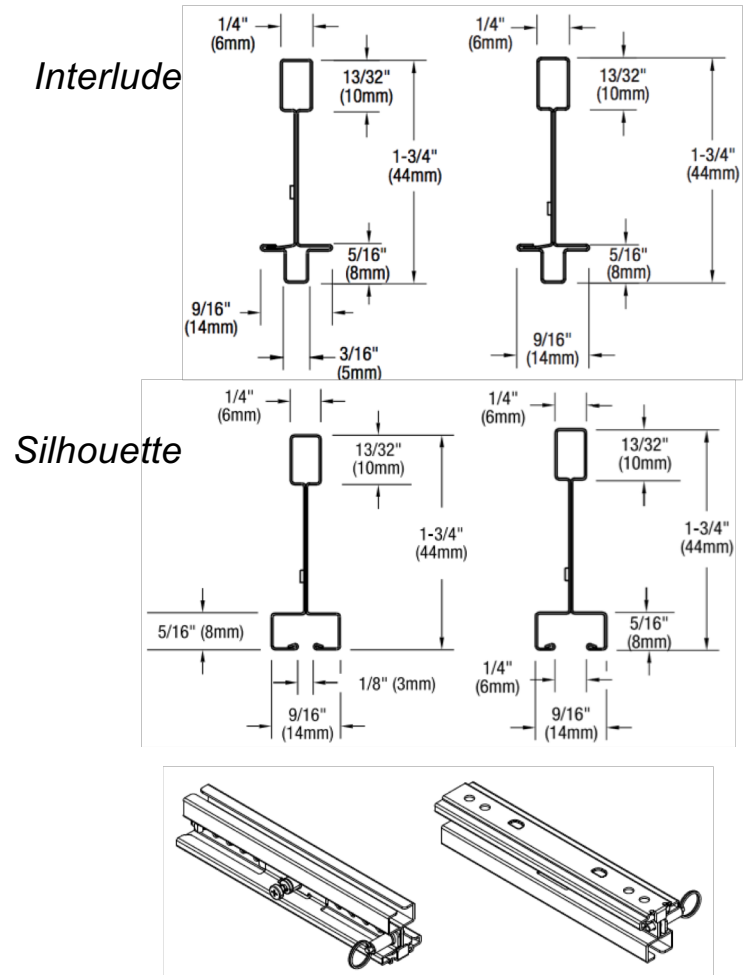
## AP-MNT-MP10-A (9/16") and AP-MNT-MP10-B (15/16")

- The two mounts are different sizes, but assemble and function the same.
- Used on 9/16" or 15/16<sup>th</sup>" Suprafine or "Tee Systems"
- 3 pieces total
  - Two rails assemble around the Tee rail, held together with a small clip on the tail side
  - The AP mount attached with two screws to the AP, and then slides around the two Tee-rail assemblies.
  - Secure with the spring loaded pin and then tighten the retention screw to lock it in



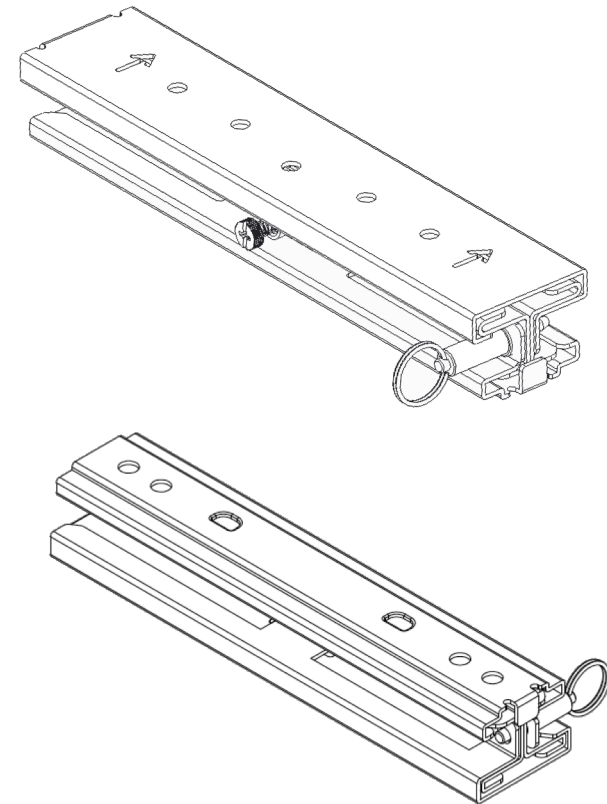
## AP-MNT-MP10-C

- The mount covers both the “Interlude” (top) and “Silhouette” (bottom) style rails
- 3 pieces total
  - Two rails assemble around the suspension rail, held together with a small clip on the tail side
  - The AP mount attached with two screws to the AP, and then slides around the two Tee-rail assemblies.
  - Secure with the spring loaded pin and then tighten the retention screw to lock it in



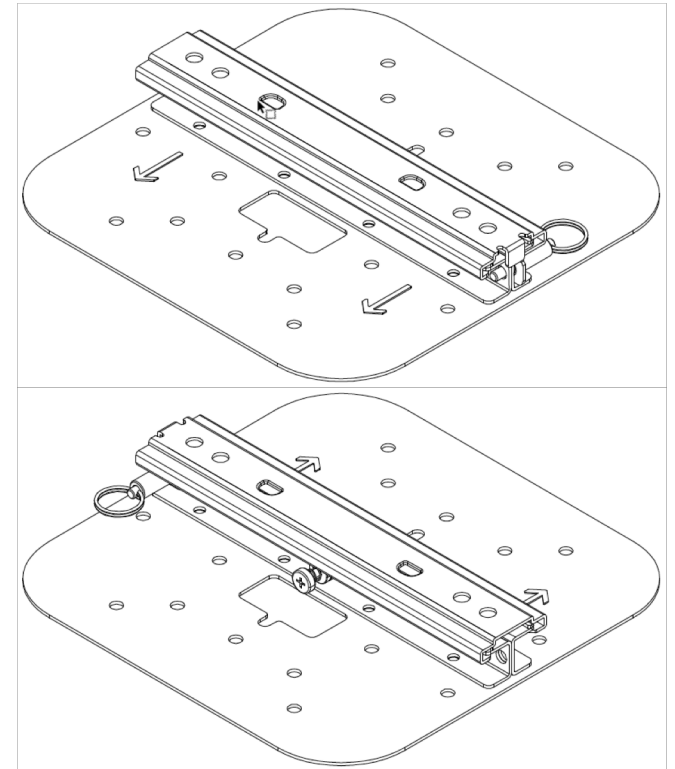
## AP-MNT-MP10-D

- The mount covers a wall mount or fixed ceiling installation
- 4 pieces total
  - Two rails assemble that go between the wall mount rail and the AP mount rail
  - The AP mount rail attaches to the AP
  - Secure the wall mount rail to the wall or hard ceiling
  - Then slide the two-rail assembly between the AP and wall, secure with the spring pin and then lock it in place by tightening the screw to lock everything together



## AP-MNT-MP10-E

- The mount provides a large, flat wall mount bracket that can attach to a flat wall, or a 1-gang or 2-gang electrical box
- 2 pieces total
  - The large, flat wall mount bracket with an integrated lower rail that will slide in to the AP mount bracket
  - The AP mount rail attaches to the AP
  - Secure the wall mount bracket to the wall or the 1-gang or 2-gang box, then slide the AP on over the rail on the mount to the AP.
  - Secure with the spring pin and then tighten the screw to secure the AP to the mount





# New AP-5xx Mount Location

Screw threads to secure AP mount

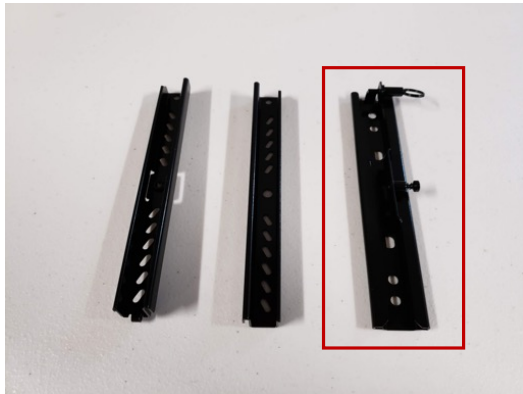


'Keyed' alignment knobs to ensure mount is properly installed.

All AP-5xx will ship with the Common Mount pre-attached (to minimize risk of customers damaging threads and to make new installs easier)



## AP-MNT-MP10-A (9/16") and AP-MNT-MP10-B (15/16")



*The common part of the mount is show inside the red box for illustrative purposes only. In production, this will be pre-installed on the AP, and the parts shipped will include the remaining parts required.*

*Pictured with the AP-555. release date expected Q2. 2019*

## AP-MNT-MP10-C (works with Interlude and Silhouette)



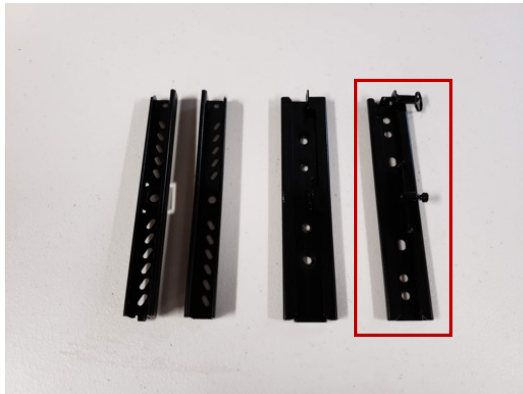
*The common part of the mount is show inside the red box for illustrative purposes only. In production, this will be pre-installed on the AP, and the parts shipped will include the remaining parts required.*

*Pictured with the AP-555. release date expected Q2. 2019*

## AP-MNT-MP10-C (Interlude on top, Silhouette on bottom)



## AP-MNT-MP10-D (fixed/solid ceiling or wall mount)

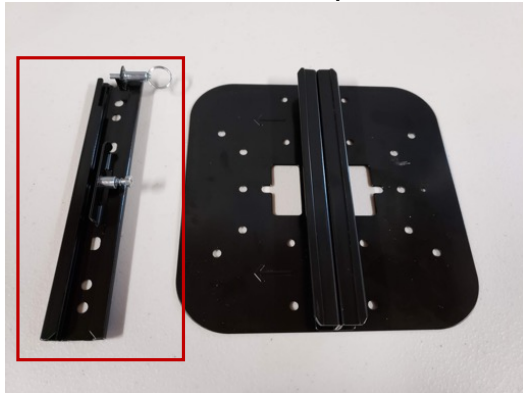


*The common part of the mount is show inside the red box for illustrative purposes only. In production, this will be pre-installed on the AP, and the parts shipped will include the remaining parts required.*

*Pictured with the AP-555. release date expected Q2. 2019*

## AP-MNT-MP10-E (wall or 1-gang/2-gang wall box mount)

Note: In this case the plate mount is secured to the wall or 1-gang/2-gang box first. Then the AP will slide on to the mount.



**aruba**

a Hewlett Packard  
Enterprise company

**Thank you**

Aruba-WLAN-TME